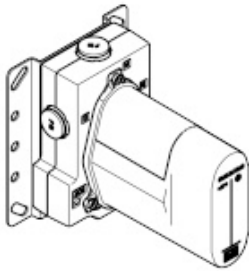




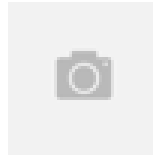
## Shower - FM products

Concealed thermostat with integrated supply stops -

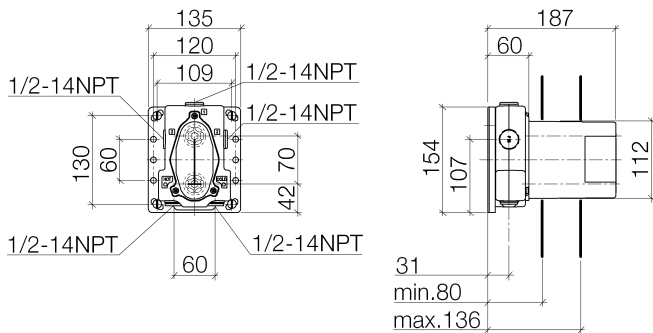
Article number: 35 426 970-90 0010



- integrated stop
- lead free compliant
- 2x back flow preventer
- 2x Connection 1/2" IT (cold/warm), DN 15
- 3x outlet 1/2"
- Mud guard
- Water protection
- Noise and heat insulation
- Wall elbow 1/2" (concealed rough parts) Also compatible with xGrid
- Center to center 2-3/4"



## Dimensional drawing



All dimensions in mm / inch = mm x 0,0394



Shower - FM products

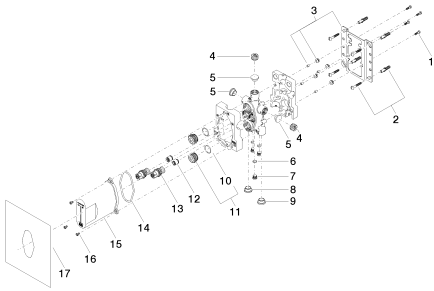
Concealed thermostat with integrated supply stops -

Article number: 35 426 970-90 0010



Shower - FM products  
Concealed thermostat with integrated supply stops -  
Article number: 35 426 970-90 0010

### Spare parts list



Number	Item Number	Designation	Number of units
--------	-------------	-------------	-----------------